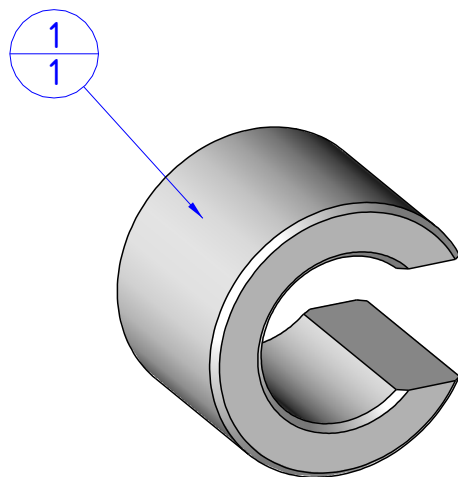
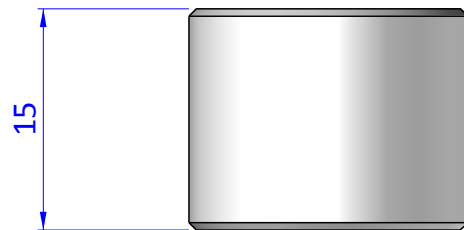
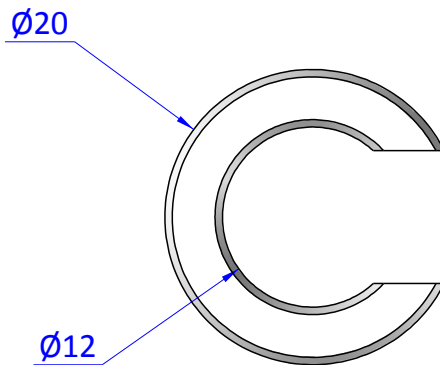

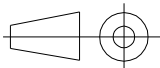


THE PROPERTY OF THE DRAWING IS ESTABLISHED BY LAW. IT IS FORBIDDEN TO PRODUCE OR SHOW IT TO THIRD PART. WITHOUT A WRITTEN AGREEMENT.

| Item | Name | Q.ty |
|------|----------|------|
| 1 | DB.15.25 | 1 |



| | | | | | | |
|-------------------------|---|--|--|--|--|--------------------------|
| Format A4 UNI 936-76 |  | |  | | DESIGNED FROM FPS Automation | REVIEW A |
| | GENERAL TOLERANCE UNI - ISO 2768 CLASSE f | | DESCRIPTION CA.DB.15.25 | | DATE 07/06/2019 | WEIGHT 0,003kg |
| | | | | | CODE CA.DB.15.25 | |